



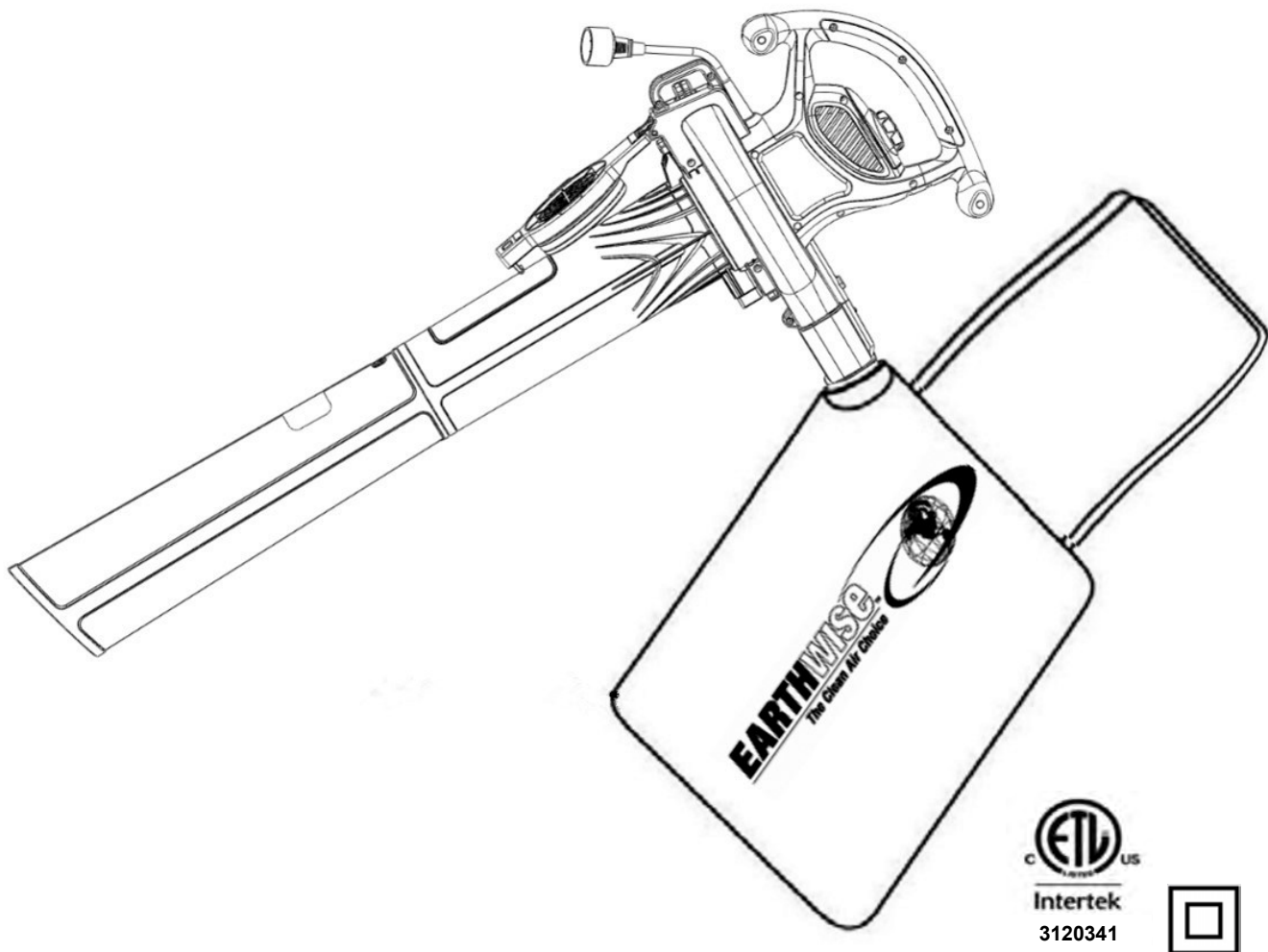
OPERATOR'S MANUAL

ELECTRIC BLOWER/ VACUUM/ MULCHER

This product is covered by U.S. patents and other international patents

Copyright. All Rights Reserved.

Model BVM22012



This product has been engineered and manufactured to our high standard for dependability, ease of operation, and operator safety. Properly cared for, it will give you years of rugged, trouble-free performance.



WARNING: To reduce the risk of injury, the user must read and understand the operator's manual before using this product.

Thank you for your purchase.

DO NOT RETURN THIS PRODUCT TO THE STORE. OPERATING, ASSEMBLY, PARTS, SERVICE QUESTIONS?
CALL 1-800-313-5111 BETWEEN 7:30AM - 4:30PM EST FOR ASSISTANCE.

SAVE THIS MANUAL FOR FUTURE REFERENCE



IMPORTANT SAFETY WARNINGS



TO REDUCE RISK OF INJURY:

Before any use, be sure everyone using this tool reads and understands all safety instructions and other information contained in this manual.



CAUTION: Wear appropriate personal hearing protection during use. Under some conditions and duration of use, noise from this

Save these instructions and review frequently prior to use and in instructing others.



WARNING: When using electric gardening appliances, basic safety precautions should always be followed to reduce risk of fire, electric shock, and personal injury, including the following:

READ ALL INSTRUCTIONS

GENERAL SAFETY

DON'T ABUSE CORD – Never Blower Vac by cord or yank it to disconnect from receptacle. Keep cord from heat, oil, and sharp edges.

KEEP CHILDREN AWAY - All visitors, children and pets should stay at a safe distance from the work area.

DRESS PROPERLY – Don't wear loose clothing or jewelry. Wear protective hair covering to contain long hair. They can be caught in moving parts. Use of rubber gloves and substantial footwear is recommended when working outdoors.

USE SAFETY GLASSES –Wear safety glasses with side shields or goggles that are marked to comply with ANSI Z87.1 standard when operating this product. Use face or dust mask if environment is dusty.

GROUND FAULT CIRCUIT INTERRUPTER (GFCI) protection should be provided on the circuit (s) or outlet (s) to be used for the blower vac. Receptacles are available having built-in GFCI protection and may be used.

USE RIGHT APPLIANCE – Do not use appliance for any job except that for which it is intended.

EXTENSION CORD. Make sure your extension cord is in good condition. When using an extension cord be sure it is heavy enough to carry the current your product will draw. An undersized extension cord will cause a drop in line voltage resulting in loss of power and overheating. The following table shows the correct size to use depending on cord length and nameplate ampere rating. If in doubt, use the next heavier gage. The smaller the gage number, the heavier the cord.

		Minimum Gage for Cord Sets			
		Total Length of cord in Feet			
Volts		0-25	26-50	51-100	101-150
120V					
Ampere Rating		American wire Gage			
More Than	Not More Than				
0	- 6	18	16	16	14
6	- 10	18	16	14	12
10	- 12	16	16	14	12
12	- 16	14	12	Not Recommended	



WARNING: Use outdoor extension cords marked SW-A, SOW-A, STW-A, STOW-A, SJW-A, SJTW-A, or SJTOWA. These cords are rated for outdoor use and reduce the risk of electric shock.

It is possible to tie more than one extension cord in a knot to prevent them from becoming disconnected during use. Make the knot as shown, then connect the plug end of the extension cord into the receptacle and the other end into the plug on the blower housing.



POLARIZED PLUGS-To reduce the risk of electric shock, this product has a polarized plug. Polarized connections will fit together only one way. Make sure that the receptacle end of the extension cord has large and small blade slot widths. If the plug does not fit fully into the extension cord, reverse the plug. If it still does not fit, obtain a suitable extension cord. If the extension cord does not fit fully into the outlet, contact a qualified electrician to install the proper outlet. Do not change the plug on the tool or the extension cord in any way.

DOUBLE INSULATION – Double Insulation is a concept in safety in electric power tools, which eliminates the need for the usual three-wire grounded power cord. All exposed metal parts are isolated from the internal metal motor components with protecting insulation. Double insulated tools do not need to be grounded.

NOTE: The double insulated system is intended to protect the user from shock resulting from a break in the tool's internal insulation. Observe all normal safety precautions to avoid electrical shock.

DISCONNECT BLOWER VAC from the power supply when not in use or when servicing or cleaning. Do not leave unattended.

AVOID DANGEROUS ENVIRONMENTS – Don't use Blower Vac in rain, damp or wet locations. Do not operate Blower Vac in gaseous or explosive atmospheres. Motors in these tools normally spark, and the sparks might ignite fumes.

AVOID UNINTENTIONAL STARTING – Don't carry Blower Vac with finger on switch. Be sure switch is off when plugging in.



DANGER: Risk of personal injury and/or unit damage, Do Not manually place material into vacuum tube while operating unit. Keep both hands on handles when power is on.

DO NOT ATTEMPT to remove material or hold material to be vacuumed when Blower Vac is on. Make sure Blower Vac switch is off when clearing jammed material from vacuum tube. Do not pick up Blower Vac by the tube or attempt to carry unit by the blower/vacuum tube.



CAUTION: Moving parts coast after turn off.

DON'T FORCE BLOWER VAC – It will do the job better and with less likelihood of a risk of injury at the rate for which it was designed.

STAY ALERT – Watch what you are doing. Use common sense. Do not operate blower vac when you are tired or under the influence of drugs, alcohol or medications.

STORE IDLE BLOWER VAC INDOORS – When not in use, Blower Vac should be stored indoors in a dry and high or locked-up place, out of reach of children.

MAINTAIN BLOWER VAC WITH CARE – Keep blower tube clear and clean for best performance and to reduce the risk of injury. Inspect extension cord periodically and replace if damaged. Keep handles dry, clean and free from oil and grease.



WARNING: California Proposition 65:

This product contains chemicals known to the State of California to cause cancer, birth defects or other reproductive harm.



WARNING: Some dust and debris created by the use of this tool could contain chemicals known to the State of California to cause cancer and birth defects or other reproductive harm. Some examples of these chemicals are:

- chemicals in fertilizers
- compounds in insecticides, herbicides, and pesticides
- arsenic and chromium from chemically treated lumber

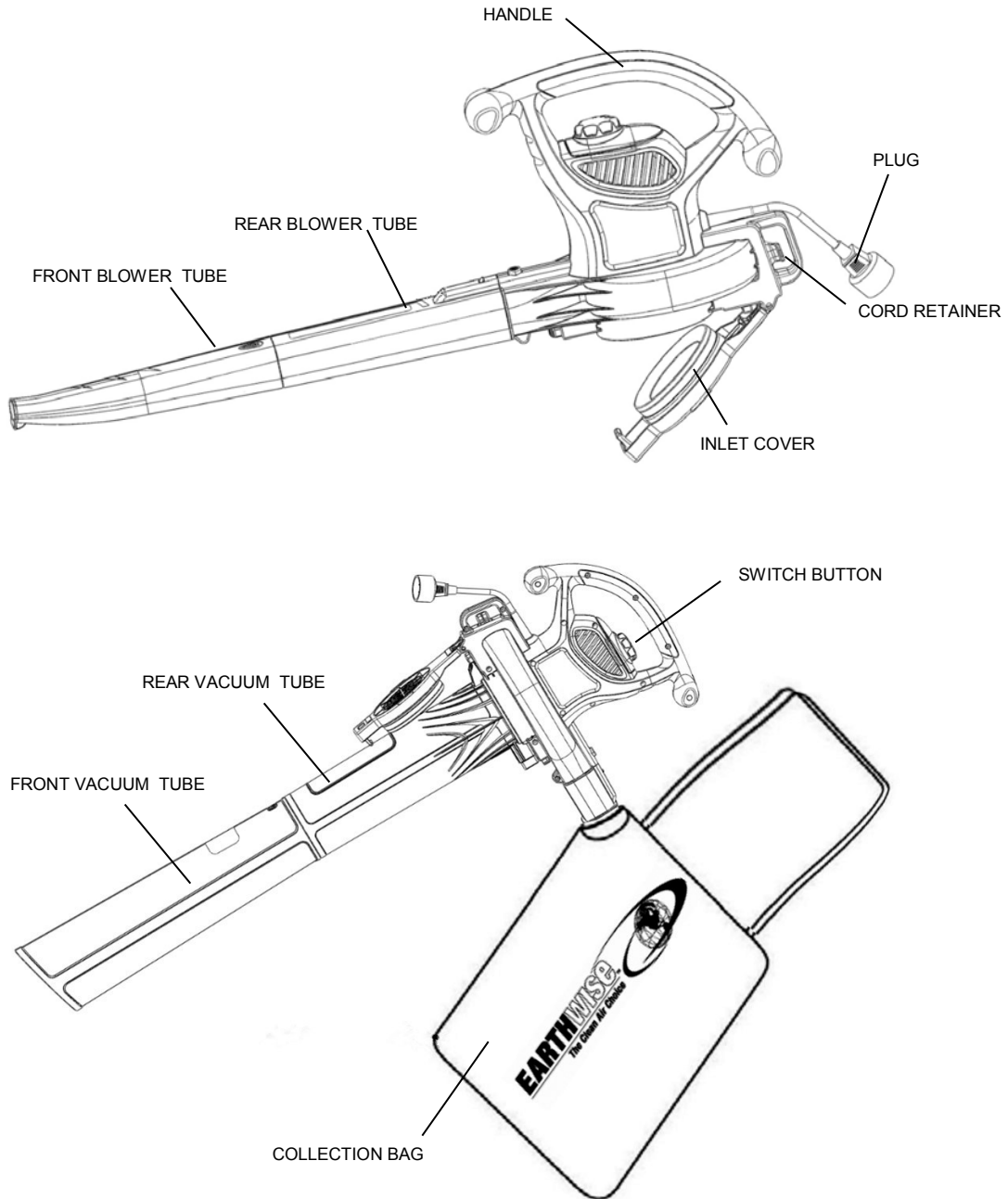
Your risk from exposure to these chemicals varies, depending on how often you do this type of work. To reduce your exposure, work in a well-ventilated area and with approved safety equipment such as dust masks that are specially designed to filter out microscopic particles.

FEATURES

PRODUCT SPECIFICATIONS

Input 120 V, 60 Hz, 12 Amp
Speed 150 MPH, 230 MPH
CFM 280 - 390
Tube Length 22 in. Blower, 34 1/4 in. Vacuum
Weight 9.26 lb.
Capacity 2 Bushels

- No Tool Assembly - Cord Retention Hook - Belt for more comfortable usage -



* INLET COVER MUST BE SECURELY ATTACHED TO AIR INLET PRIOR TO USING BLOWER FUNCTION

ASSEMBLY

UNPACKING

This product requires assembly.

Carefully remove the product and any accessories from the box. Make sure that all items listed in the packing list are included.


Inspect the product carefully to make sure no breakage or damage occurred during shipping.


Do not discard the packing material until you have carefully inspected and satisfactorily operated the product.


If any parts are damaged or missing, please call our customer service help line at 1-800-313-5111 for assistance.

PACKING LIST

- Blower / Vac
- Blower Tube
- Vac Tube
- Collection Bag
- Operator's manual

 **WARNING:** If any parts are damaged or missing do not operate this product until the parts are replaced. Failure to heed this warning could result in serious personal injury.

 **WARNING:** Do not attempt to modify this product or create accessories not recommended for use with this product. Any such alteration or modification is misuse and could result in a hazardous condition leading to possible serious personal injury.

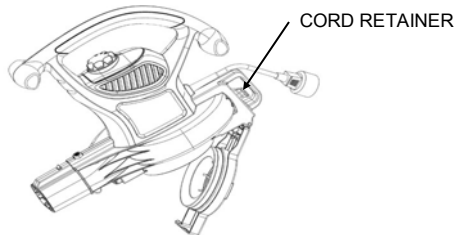
 **WARNING:** Do not connect to power supply until assembly is complete. Failure to comply could result in accidental starting and possible serious personal injury.

CORD RETAINER

A cord retainer is incorporated into the rear of the power head.

If using more than one extension cord, first tie the two cords in a knot as shown.

Then, double the extension cord several inches from the end and hook the loop formed by doubling the cord over the retainer post as shown.

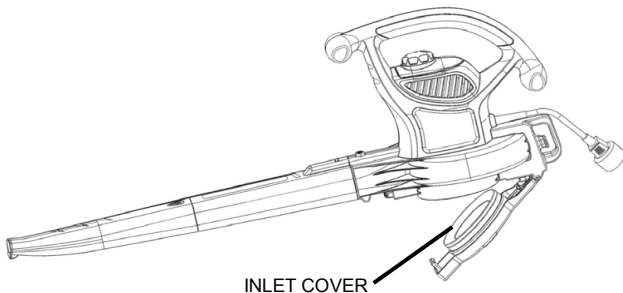


ASSEMBLING THE UNIT AS A BLOWER

Connect the two blower tubes together.

Fit the larger diameter end of blower tubes onto the air outlet of the motor housing.

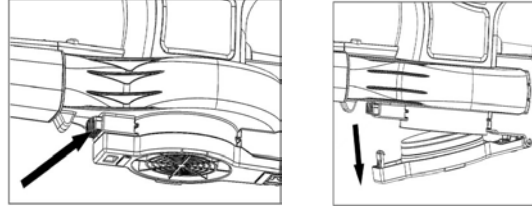
Ensure the inlet cover is securely fastened over the air inlet before using blower function.



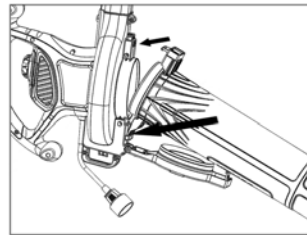
ASSEMBLING THE UNIT AS A VACUUM

Push the lower vacuum tube firmly into the upper tube until they are locked firmly together. Once the vacuum tubes are connected, they should never be disassembled again.

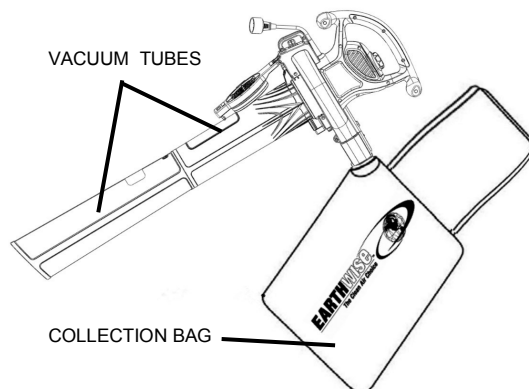
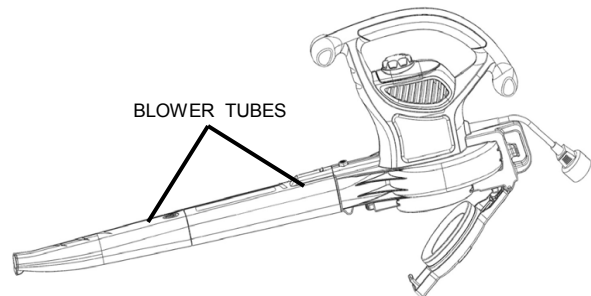
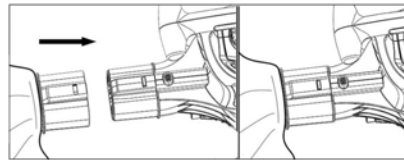
Remove the inlet cover from the bottom of the motor housing by depressing the lock button and pulling the cover downward.



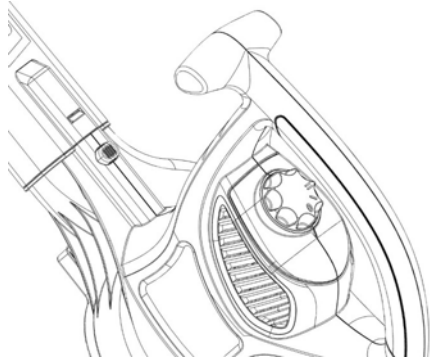
Attach the vacuum tube assembly to the motor housing by positioning the assembly as indicated by arrow, then pivot about this point until the locking/release catch is fully engaged.



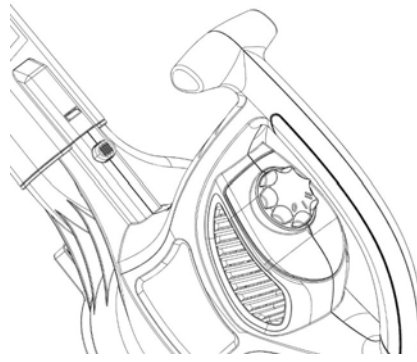
Attach the push-on collection bag connector to the outlet tube of the housing. Push the fitting of the collection bag directly onto the outlet until it "clicks" into position.



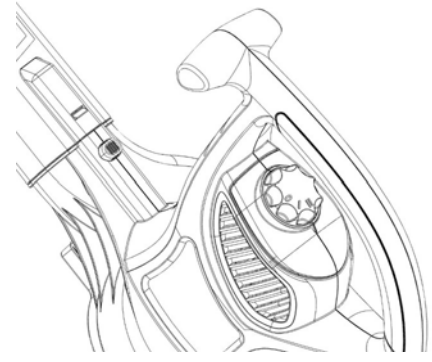
OPERATING



"0" off



"I" low speed



"II" high speed

ON/OFF SWITCH / SPEED CONTROL FOR MODEL BVM22012 –
For extra control, model BVM22012 is fitted with a two speed switch located on the handle of the power head.

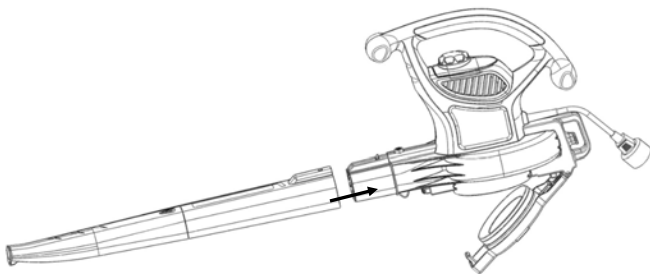
The switch has three positions: "0", "I" and "II". Position "0" is off. To use in low speed, move the switch to the center position; position "I". To change to high speed, move the switch to position "II".

To turn the tool ON, slide the switch to position "I" or position "II", depending on the desired speed. To turn tool OFF, slide switch to the "0" position.

BLOWER MODE

Turn switch to OFF position and disconnect from the main power supply.

Connect the blower tube to the power head by locating the blower tube as shown pushing until the slot on the tube locks firmly over the tab on the power head. Ensure the inlet cover is securely fastened over the air inlet before using blower function.



Hold the blower tube approximately 7 inches above the ground, switch your product on and using a sweeping motion from side to side, advance slowly. Keep the accumulated debris/leaves in front of you.



Once you have blown the debris/leaves into a pile, you can convert to vacuum mode to collect the debris.



WARNING: When turning a blower off for tube installation, wait 10 seconds for the fan to stop rotating before disassembling the tubes.

VACUUM MODE

Switch off your unit and disconnect from power supply.

Install vacuum tubes as described earlier in this manual.

Attach the push-on collection bag connector to the outlet tube of the housing. Push the fitting of the collection bag directly onto the outlet until it "clicks" into position.

Position the tube slightly above the debris/leaves. Switch the tool on, then using a sweeping motion the debris/leaves will be vacuumed up the tube, mulched and deposited into the collection bag.

As the bag fills suction power will decrease. When this happens, turn switch to OFF position and unplug from power supply. Remove bag and empty debris.

To remove the bag, push the button on the outlet and pull the bag straight off.

To make your lawn care grooming easier and more comfortable the tool should be fitted to the user using the adjustable shoulder strap.

WARNING: Never remove the collection bag without first turning switch to the off position and unplugging the vacuum from the main power source.

Do not use in vacuum mode without the vacuum tubes and collection bag in place.

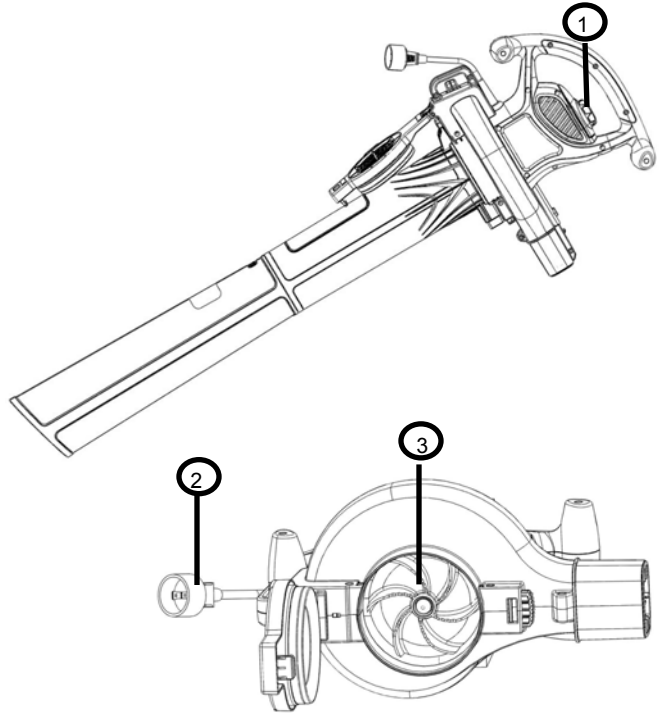
Use the blower vac only in daylight or good artificial light.

OPERATING

During the vacuuming process, certain objects such as cloth, rope, large diameter sticks, etc., may obstruct the fan and block the motor. A thermal protection device is included within the blower vac which will cut off the electricity to the motor to prevent damage from overheating.

In case of blockage and curtailment of power:

1. Turn the switch to the "off" position.
2. Unplug the unit from the power supply.
3. Remove the vacuum tube and remove the object(s) blocking the fan.
4. Reassemble the vacuum tube. Allow 3 minutes for the motor to cool. Plug the unit in and turn the switch to the "on" position. The blower vac will resume normal functions.



MAINTENANCE

Always turn switch off and remove plug from the electrical power supply when:

- Changing from blower to vacuum.
- The supply cable has become damaged or entangled.
- You leave your product unattended.
- Clearing a blockage.
- Checking, adjusting, cleaning or working on your product.

If you drop the unit, carefully inspect it for damage. If the housing is cracked or handles broken or if you see any other condition that may affect the unit's operation, call our customer service help line at 1-800-313-5111 for assistance.

CAUTION: Do not at any time let brake fluids, gasoline, petroleum based products, penetrating oils, etc., come in contact with plastic parts. They contain chemicals that can damage, weaken or destroy plastic.

IMPORTANT: To assure product SAFETY and RELIABILITY, repairs, maintenance and adjustment should be performed by a qualified individual using only identical replacement parts.

Clean out any clippings which may have accumulated in the unit. When used properly with dry leaves the fan chamber of your unit should remain clean. If damp earth and debris are ingested some of the particles may build up on the inside of the fan chamber. If this happens the performance of the unit will decrease. This area can be cleaned out by gently wiping out with a damp rag after disconnecting from the power source. Your unit should be stored in a dry place.

Once a year hand wash the bag in soapy water. Allow it to air dry.

Make sure the extension cord is detached from the unit, then use only mild soap and a damp cloth to clean the tool. Never let any liquid get inside the tool; never immerse any part of the tool into a liquid.

Fertilizers and other garden chemicals contain agents which greatly accelerate the corrosion of metals. Do not store the tool on or adjacent to fertilizers or chemicals.

TROUBLESHOOTING

Problem
- Unit does not run

Possible Cause
- Extension cord not connected to the plug
- Cord not connected to power source

Possible Solution
- Check extension cord is fully connected to tool
- Check extension cord is fully connected to a live receptacle

CALL US FIRST !!

Call us first with questions about operating or maintaining your blower vac at 1.800.313.5111 between 7:30 a.m. – 4:30 p.m. Eastern Standard Time, or send emails to earthwise@reelin.com.



OPERATOR'S MANUAL

ELECTRIC BLOWER/ VACUUM/ MULCHER

This product is covered by U.S. patents and other international patents

Copyright. All Rights Reserved.

Model BVM22012

WARRANTY

LIMITED WARRANTY FOR CORDED ELECTRIC MODELS

This product is manufactured for The Great States Corporation/American Lawn Mower Company. The Great States Corporation/American Lawn Mower Company, Shelbyville, Indiana, has been making lawn mowers for over 100 years and warrants to the original owner that each new product and service part is free from defects in material and workmanship and agrees to repair or replace under this warranty any defective product or part from the original date of purchase for two (2) year except for the conditions and circumstances listed below. Proof of purchase (original dated sales receipt) must accompany all warranty claims.

THIS WARRANTY IS NOT TRANSFERABLE AND DOES NOT COVER:

Products sold damaged or incomplete, sold "as is", sold reconditioned, or used as rental equipment.

Delivery, installation, or normal adjustments explained in the operator's manual.

Damage or liability caused by shipping, improper handling, improper installation, incorrect voltage or improper wiring, improper maintenance, improper modification, or the use of accessories and/or attachments not specifically recommended.

Repairs necessary because of operator abuse or negligence, or the failure to install, operate, maintain, or store the product according to the instructions in the operator's manual.

Damage caused by cold, heat, rain, excessive humidity, corrosive environments and materials, or other contaminants.

Expendable items that become worn during normal use.

Cosmetic defects that do not interfere with tool functionality.

Freight costs from customer to vendor.

Repair and transportation costs of products or parts determined not to be defective.

ANY INCIDENTAL, INDIRECT, OR CONSEQUENTIAL LOSS, DAMAGE, OR EXPENSE THAT MAY RESULT FROM ANY DEFECT, FAILURE, OR MALFUNCTION OF THE PRODUCT. Some states do not allow the exclusion or limitation on how long an implied warranty lasts, so the above limitations may not apply to you.

ANY NON-RESIDENTIAL USE OR COMMERCIAL USE VOIDS ALL WARRANTIES.



The Great States Corporation
American Lawn Mower Company
830 Webster Street
Shelbyville, IN 46176
Phone 1-800-313-5111
www.earthwisetools.com

In a continued commitment to improve quality, the Manufacturer reserves the right to make component changes or design changes when necessary.



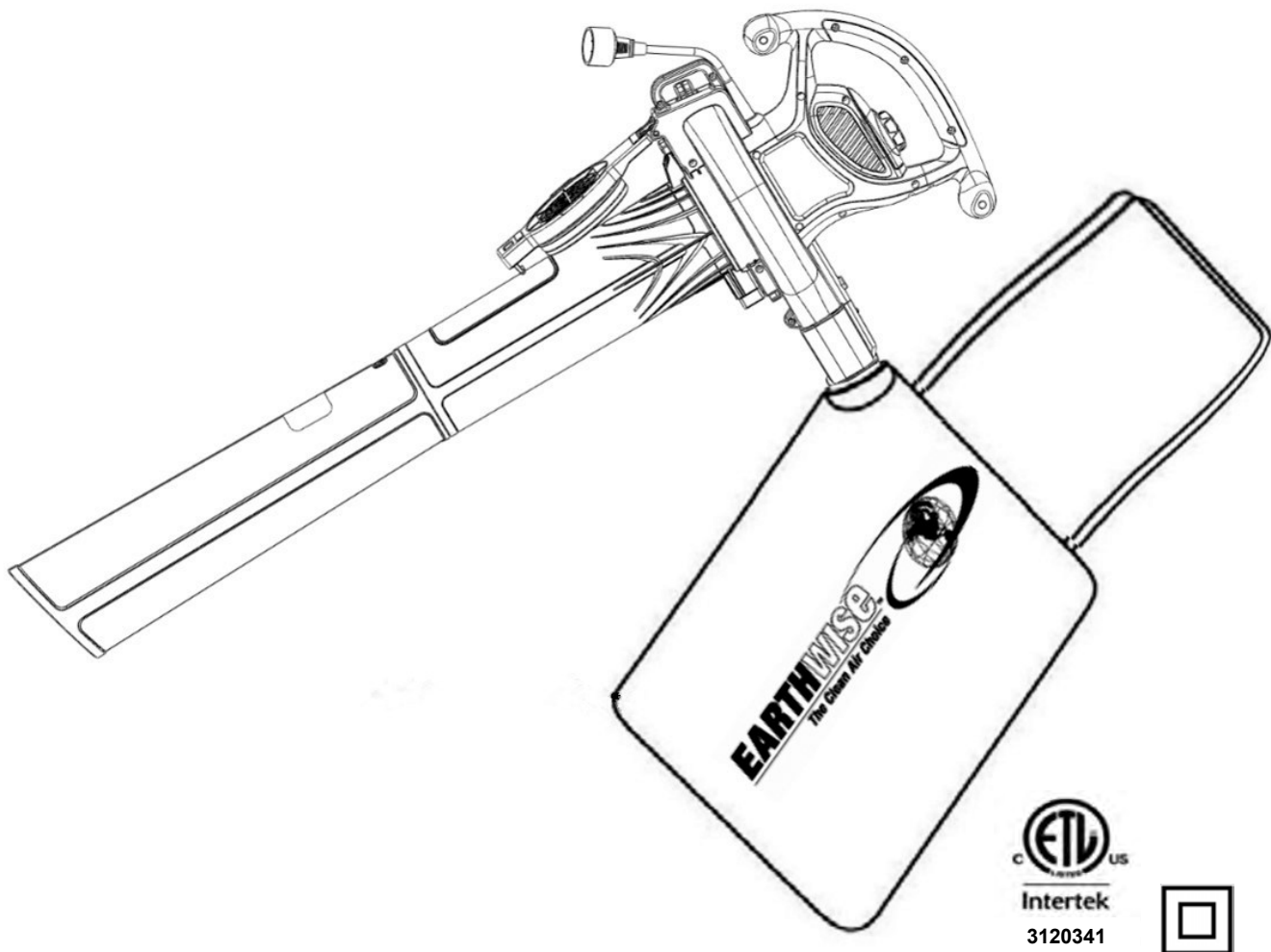
MANUAL DEL OPERARIO

SOPLADORA, ASPIRADORA Y TRITURADORA ELÉCTRICA

Este producto está amparado por patentes de EE. UU. y otras patentes internacionales.

Copyright. Todos los derechos reservados.

Modelo BVM22012



Intertek

3120341



Este producto fue diseñado y fabricado de acuerdo con nuestros altos estándares de confiabilidad, facilidad de operación y seguridad para el operario. Si se la trata con cuidado, le otorgará años de óptimo rendimiento y resistencia.



ADVERTENCIA: Para reducir el riesgo de sufrir alguna lesión, el usuario debe leer y comprender el manual del operario antes de usar este producto.

Muchas gracias por su compra.

NO DEVUELVA ESTE PRODUCTO A LA TIENDA. ¿TIENE PREGUNTAS SOBRE EL FUNCIONAMIENTO, EL MONTAJE, LAS PIEZAS O EL MANTENIMIENTO? LLAME AL 1-800-313-5111 ENTRE LAS 7.30 Y LAS 16.30, HORA ESTÁNDAR DEL ESTE, PARA RECIBIR ASISTENCIA.

GUARDE ESTE MANUAL PARA CONSULTAS FUTURAS



ADVERTENCIAS DE SEGURIDAD IMPORTANTES



PARA REDUCIR EL RIESGO DE LESIONES:

Antes de poner en uso la herramienta, asegúrese de que todos los usuarios lean y comprendan las instrucciones de seguridad y la demás información incluida en este manual.



PRECAUCIÓN: Use protección auditiva apropiada mientras trabaja. En ciertas condiciones y con cierta duración de uso, el ruido generado por este producto puede contribuir a la pérdida de la audición.

Guarde estas instrucciones y revíselas con frecuencia antes de usar la herramienta y capacitar a otros.



ADVERTENCIA: Al utilizar aparatos eléctricos para el jardín, se deben respetar siempre las precauciones de seguridad básicas que se detallan a continuación, a fin de reducir riesgos de incendios, descargas eléctricas y lesiones personales.

LEA TODAS LAS INSTRUCCIONES

NORMAS GENERALES DE SEGURIDAD

NO MALTRATE EL CABLE. Nunca tire del cable para trasladar la sopladora-aspiradora ni para desconectarla del receptáculo. Aleje el cable del calor, el aceite y los bordes filosos.

MANTENGA ALEJADOS A LOS NIÑOS. Todos los visitantes, niños y mascotas deben mantenerse a una distancia segura de la zona de trabajo.

USE ROPA ADECUADA. No use prendas sueltas ni artículos de joyería. Use protección para cubrir y contener el cabello largo, ya que puede quedar atrapado en las piezas móviles. Se recomienda usar guantes de goma y calzado resistente cuando se trabaja al aire libre.

USE GAFAS DE SEGURIDAD. Al trabajar con este producto, use gafas de seguridad con protectores laterales que cumplan con la norma ANSI Z87.1. Si la operación genera polvo, protéjase el rostro con una mascarilla antipolvo.

INTERRUPTOR DE CIRCUITO POR FALLA A TIERRA (ICFT). Los circuitos y tomacorrientes que se usen para la sopladora-aspiradora deben contar con esta protección. Se pueden utilizar receptáculos que tengan protección de ICFT incorporada.

USE LA HERRAMIENTA EN FORMA CORRECTA. No utilice esta herramienta en trabajos para los que no esté indicada.

CABLE DE EXTENSIÓN. Asegúrese de que el cable de extensión esté en buenas condiciones. Además, compruebe que tenga el grosor suficiente para transportar la corriente que necesitará el producto. Un cable de extensión muy pequeño provocará una disminución en la tensión de la línea y, como resultado, una pérdida de potencia y recalentamiento. La siguiente tabla muestra el tamaño correcto que se debe usar según la longitud del cable y el amperaje de la etiqueta. Ante la duda, utilice el siguiente calibre más grueso. Cuanto más bajo es el número de calibre, más grueso es el cable.

Calibre mínimo para los cables

Volts	Longitud total de cable en metros (pies)			
120V	0-7,6 (0-25)	7,9-15,2 (26-50)	15,5-30,4 (51-100)	30,7-45,7 (101-150)

Amperaje		Calibre AWG			
Más de	No más de				
0	6	18	16	16	14
6	10	18	16	14	12
10	12	16	16	14	12
12	16	14	12	No se recomienda	

ADVERTENCIA: Use cables de extensión para exteriores rotulados con las siguientes inscripciones: SW-A, SOW-A, STW-A, STOW-A, SJW-A, SJTW-A, o SJTOWA. Estos cables están especificados para usarse al aire libre y reducir el riesgo de descarga eléctrica.

Es posible unir más de un cable de extensión con un nudo para evitar que se desconecten durante el uso. Anude como se muestra en la imagen y luego conecte el enchufe del cable de extensión al receptáculo y el otro extremo al enchufe de la caja de la sopladora.



ENCHUFES POLARIZADOS. Para reducir el riesgo de descarga eléctrica, este producto tiene un enchufe polarizado. Las conexiones polarizadas encajan de una sola manera. Cerciérese de que el extremo del receptáculo del cable de extensión tenga ranuras de anchos diferentes para los contactos. Invierta el enchufe si no encaja totalmente en el cable de extensión. Si aún así no encaja, consiga un cable de extensión adecuado. Si el cable de extensión no se adapta bien al tomacorriente, llame a un electricista competente para que instale un tomacorriente adecuado. No cambie el enchufe de la herramienta ni el cable de extensión de ningún modo.

DOBLE AISLAMIENTO. El doble aislamiento es un concepto de seguridad en las herramientas eléctricas que elimina la necesidad del acostumbrado cable de alimentación puesto a tierra mediante el sistema de tres cables. Todas las piezas metálicas expuestas están separadas de los componentes metálicos internos del motor por un aislamiento protector. Las herramientas con doble aislamiento no necesitan la conexión a tierra.

NOTA: La finalidad del sistema de doble aislamiento es proteger al usuario de una descarga eléctrica provocada por una rotura del aislamiento interno de la herramienta. Respete todas las precauciones generales de seguridad para evitar una descarga eléctrica.

DESCONECTE LA SOPLADORA-ASPIRADORA del suministro eléctrico cuando no esté en uso o durante el servicio de mantenimiento o la limpieza. Manténgala bajo vigilancia constante.

EVITE AMBIENTES PELIGROSOS. No utilice la sopladora aspiradora en la lluvia ni en lugares húmedos o mojados. Tampoco trabaje en entornos donde existan gases o sustancias explosivas. Por lo general, los motores de estas herramientas producen chispas que podrían inflamar los gases.

EVITE EL ENCENDIDO ACCIDENTAL. No transporte la sopladora-aspiradora con el dedo en el interruptor. Asegúrese de que el interruptor esté en la posición de apagado al enchufar la herramienta.



PELIGRO: No coloque material en el tubo de aspiración en forma manual mientras opera la herramienta; esto podría causar lesiones personales o daños a la unidad. Mantenga ambas manos en los mangos mientras la herramienta está encendida.

NO INTENTE extraer material o sostener el material que se debe aspirar cuando la sopladora-aspiradora está encendida. Asegúrese de que el interruptor esté en posición de apagado para luego quitar el material atascado en el tubo de aspiración. No tome la sopladora-aspiradora por el tubo de soplado/aspiración para levantarla o intentar trasladarla.



PRECAUCIÓN: Las piezas móviles se mueven por inercia después de apagar el motor.

NO FUERCE LA SOPLADORA-ASPIRADORA. Realizará mejor el trabajo con menor probabilidad de lesiones si maneja la sopladora-aspiradora a la velocidad para la que fue diseñada.

PONGA ATENCIÓN. Observe lo que está haciendo. Use el sentido común. No opere la sopladora-aspiradora si está cansado o bajo la influencia de drogas, alcohol o medicamentos.

GUARDE LA SOPLADORA-ASPIRADORA BAJO TECHO. Cuando no esté en uso, la sopladora-aspiradora se deberá guardar en un lugar cerrado, seco y elevado o fuera del alcance de los niños.

TENGA CUIDADO AL HACER EL MANTENIMIENTO DE LA HERRAMIENTA. El tubo de soplado debe estar limpio y libre de obstrucciones para lograr un óptimo funcionamiento y reducir el riesgo de lesiones. Revise el cable de extensión periódicamente y reemplácelo si está dañado. Mantenga los mangos secos, limpios y libres de grasa y aceite.



ADVERTENCIA: Disposición 65 del estado de California: Este producto contiene químicos reconocidos por el Estado de California como causantes de cáncer, defectos de nacimiento u otros efectos nocivos para el aparato reproductor.



ADVERTENCIA: Parte del polvo y los desechos generados por el uso de esta herramienta contienen químicos reconocidos por el Estado de California como causantes de cáncer, defectos de nacimiento u otros efectos nocivos para el aparato reproductor. Algunos ejemplos de estos productos químicos son los siguientes:

- químicos presentes en fertilizantes;
- compuestos presentes en insecticidas, herbicidas y pesticidas; y
- arsénico y cromo de maderas tratadas químicamente.

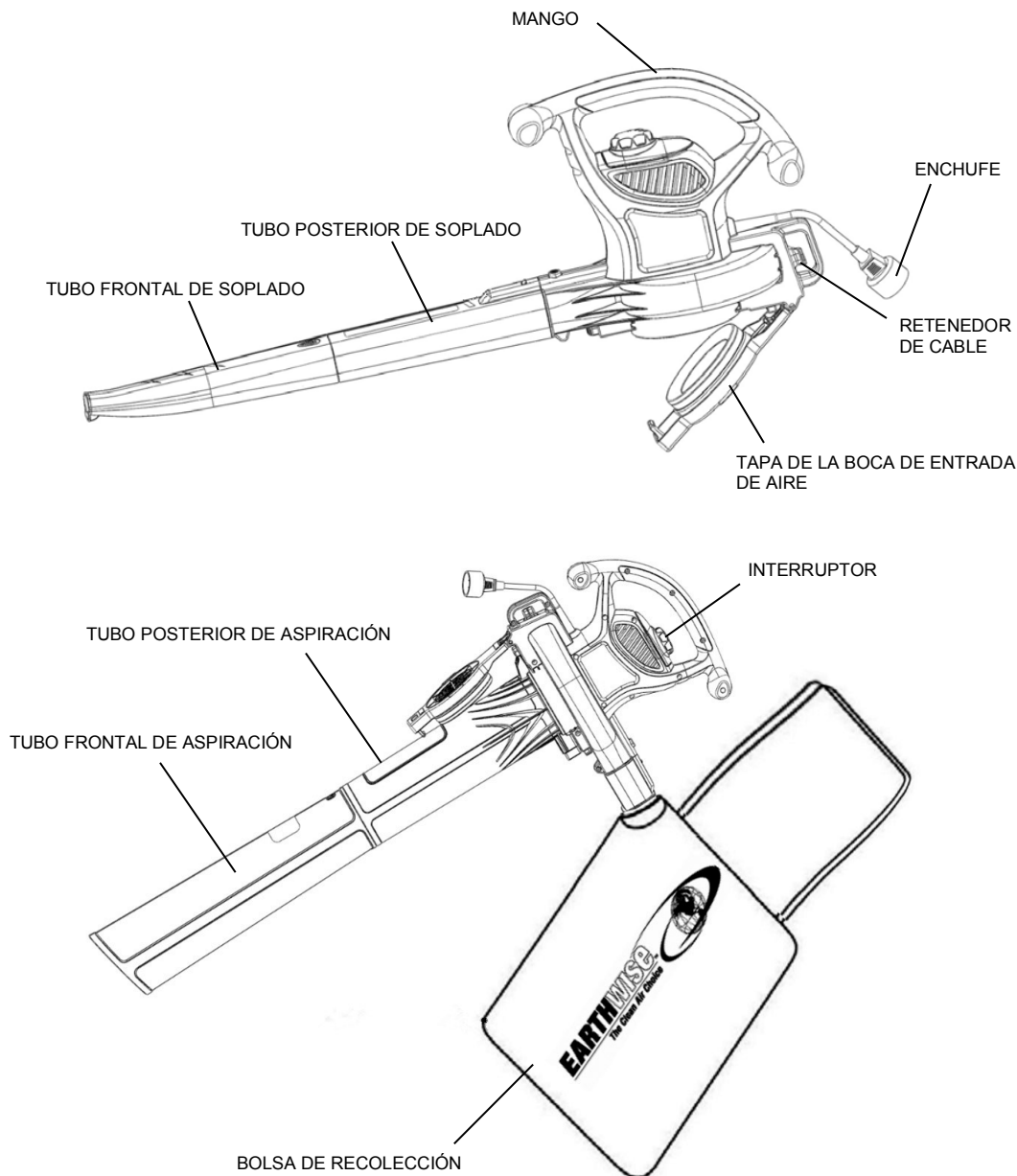
El riesgo que usted corre al exponerse a estos químicos varía según la frecuencia con la que realiza este tipo de trabajo. Para reducir la exposición, trabaje en una zona bien ventilada y utilice equipo de protección aprobado, como mascarillas antipolvo especialmente diseñadas para filtrar partículas microscópicas.

CARACTERÍSTICAS

ESPECIFICACIONES DEL PRODUCTO

Entrada: 120 V, 60 Hz, 12 amperios
Velocidad: 241 km/h (150 MPH), 370 km/h (230 MPH)
CMF 280 - 390
Longitud del tubo: 55,8 cm (22 pulg.) para la sopladora, 86,9 cm (34 1/4 pulg.) para la aspiradora
Peso 4,20 kg (9.26 lb)
Capacidad 70,4 litros (2 Bushels)

- No se requieren herramientas para el montaje. - Gancho de retención de cable. - Cinturón para un uso más cómodo.



* LA TAPA DE LA BOCA DE ENTRADA DE AIRE DEBE ESTAR BIEN COLOCADA SOBRE LA ENTRADA DE AIRE ANTES DE UTILIZAR LA UNIDAD EN MODO DE SOPLADO.

MONTAJE

DESEMBALAJE

Este producto requiere algunas operaciones de montaje. Extraiga el producto y los accesorios de la caja con cuidado. Asegúrese de que estén incluidos todos los elementos detallados en la lista de embalaje.

Inspeccione el producto detenidamente para corroborar que no existan roturas ni averías ocurridas durante el envío.

No deseche el material de embalaje hasta haber inspeccionado exhaustivamente el producto y comprobado que funciona en forma satisfactoria.

Si alguna pieza falta o está dañada, comuníquese con nuestra línea de ayuda de atención al cliente llamando al 1-800-313-5111 para obtener asistencia.

LISTA DE EMBALAJE

- Sopladora-aspiradora
- Tubo de soplado
- Tubo de aspiración
- Bolsa de recolección
- Manual del operario



ADVERTENCIA: Si alguna pieza falta o está dañada, no utilice este producto hasta reponer la pieza en cuestión. De lo contrario, podría sufrir lesiones corporales serias.



ADVERTENCIA: No intente modificar este producto ni crear accesorios no recomendados para su uso con este producto. Cualquier alteración o modificación de este tipo se considera uso indebido y podría generar condiciones peligrosas que causen posibles lesiones personales graves.



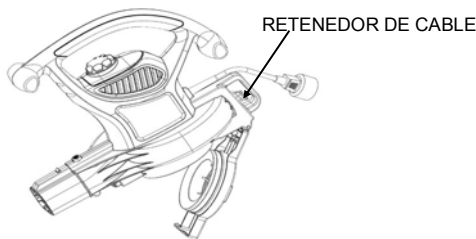
ADVERTENCIA: No conecte la herramienta al suministro eléctrico hasta finalizar el montaje. De lo contrario, la máquina podría arrancar accidentalmente y provocar lesiones personales de gravedad.

RETENEDOR DE CABLE

La parte posterior del cabezal de potencia incluye un retenedor de cable.

Si se utiliza más de un cable de extensión, primero ate los dos cables con un nudo como se muestra.

A continuación, pliegue el cable de extensión varios centímetros desde el extremo y enganche el lazo formado por el pliegue del cable sobre el retenedor como se observa en la ilustración.



MONTAJE DE LA UNIDAD COMO SOPLADORA

Conecte los dos tubos de soplado.

Coloque el extremo de mayor diámetro de los tubos en la salida de aire de la caja del motor.

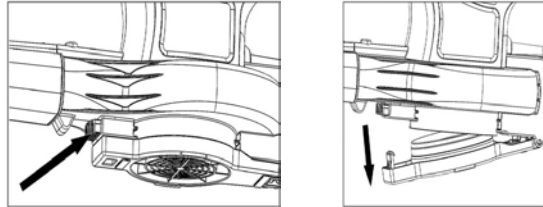
Asegúrese de que la tapa de la boca de entrada de aire esté bien colocada antes de utilizar la unidad en el modo de soplado.



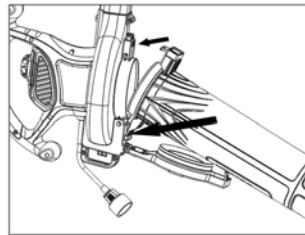
MONTAJE DE LA UNIDAD COMO ASPIRADORA

Presione con fuerza el tubo de aspiración inferior dentro del tubo superior hasta que queden firmemente ajustados. Una vez que los tubos de aspiración estén conectados, no se deben volver a desmontar.

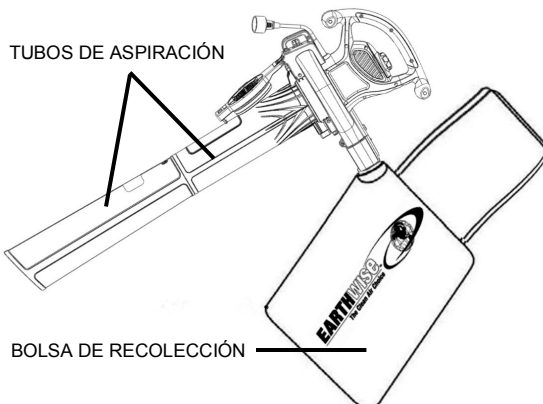
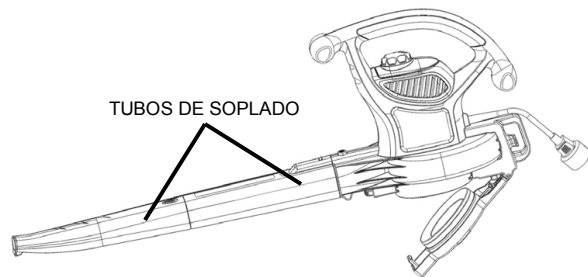
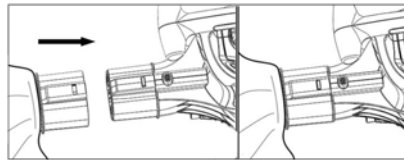
Para quitar la tapa de la boca de entrada de aire de la parte inferior de la caja del motor, oprima el botón de bloqueo y tire de la tapa hacia abajo.



Conecte el conjunto de tubos de aspiración a la caja del motor; para esto, ubique el conjunto como indica la flecha, luego gírelo sobre este punto hasta que el pestillo de bloqueo/desbloqueo se trabase.



Coloque el conector de la bolsa de recolección a presión en el tubo de salida de la caja. Presione la boca de la bolsa de recolección directamente sobre la salida hasta que haga clic al trabarse en su posición.

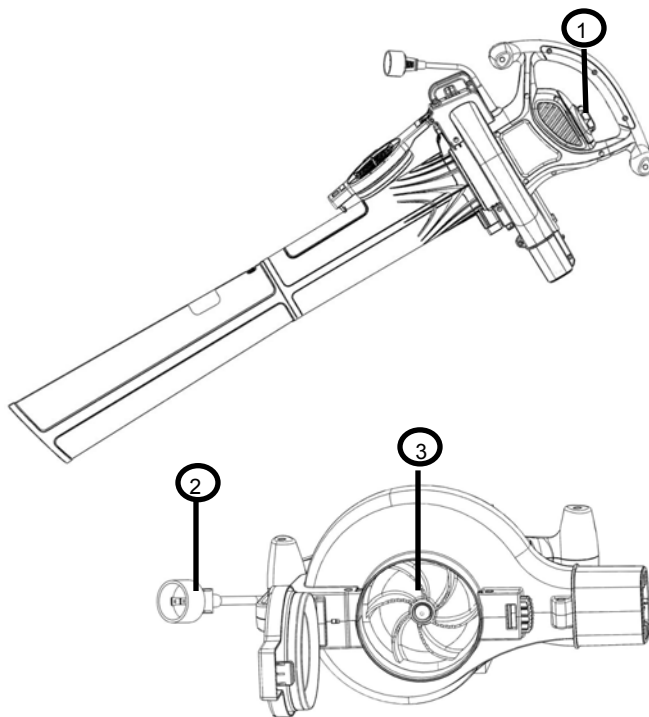


FUNCIONAMIENTO

Durante el proceso de aspiración, ciertos objetos como trapos, cuerdas, palos largos, etc. pueden obstruir el ventilador y bloquear el motor. La sopladora-aspiradora incluye un dispositivo de protección térmica que corta el suministro eléctrico del motor para evitar daños por sobrecalentamiento.

En caso de bloqueo o corte de energía:

1. Apague la unidad.
2. Desconecte la unidad del suministro eléctrico.
3. Quite el tubo de aspiración y saque los objetos que obstruyan el ventilador.
4. Monte nuevamente el tubo de aspiración. Espere 3 minutos hasta que el motor se enfríe. Enchufe la unidad y enciéndala. La sopladora-aspiradora funcionará normalmente una vez más.



MANTENIMIENTO

Apague la herramienta y desconéctela del suministro eléctrico siempre que:

- Se cambie del modo de soplado al de aspiración.
- El cable de alimentación se haya dañado o enredado.
- Se deje el producto sin vigilancia.
- Se intente despejar una obstrucción.
- Se revise, ajuste, limpie o trabaje en el producto.

Si la sopladora se ha caído, inspecciónela cuidadosamente para comprobar si sufrió algún daño. Si la caja tiene grietas o los mangos están rotos, o si detecta alguna condición que pudiera afectar el funcionamiento de la unidad, llame a nuestra línea de ayuda de atención al cliente al 1-800-313-5111 para obtener asistencia.

⚠ PRECAUCIÓN: Evite en todo momento que líquidos de frenos, gasolina, productos a base de petróleo, aceites penetrantes, etc. entren en contacto con piezas plásticas. Contienen químicos que pueden dañar, debilitar o destruir el plástico.

⚠ IMPORTANTE: A fin de garantizar la **SEGURIDAD** y la **CONFIABILIDAD** del producto, las reparaciones, el mantenimiento y los ajustes deben estar a cargo de una persona calificada, y se deben utilizar repuestos idénticos únicamente.

Extraiga los restos de hierba que se pueden haber acumulado en la unidad. Cuando se usa adecuadamente con hojas secas, la cámara del ventilador de la unidad debería permanecer limpia. Si se introducen tierra y desechos húmedos, se pueden acumular algunas de las partículas en el interior de la cámara del ventilador. Cuando esto sucede, el rendimiento de la unidad disminuye. Esta área se puede limpiar suavemente con un paño húmedo después de desconectar la herramienta del suministro eléctrico. Debe guardar la unidad en un lugar seco.

Una vez al año, lave la bolsa a mano con agua jabonosa. Déjela secar al aire.

Cerórese de que el cable esté desconectado de la unidad y luego utilice únicamente un jabón suave y un paño húmedo para limpiar la herramienta. No permita que se filtre líquido en el interior de la herramienta ni sumerja ninguna pieza en líquido.

Los fertilizantes y otros productos químicos para el jardín contienen agentes que aceleran la corrosión de los metales en forma considerable. No guarde la herramienta junto a fertilizantes ni productos químicos.

SOLUCIÓN DE PROBLEMAS

Problema	Posible causa	Posible solución
- La unidad no funciona.	- El cable de extensión no está conectado al enchufe. - El cable no está conectado a la fuente de alimentación.	- Verifique que el cable de extensión esté bien conectado a la herramienta. - Asegúrese de que el cable de extensión esté bien conectado a un receptáculo activo.

¡LLÁMENOS PRIMERO!

Llámenos primero si tiene preguntas sobre el funcionamiento o el mantenimiento de su sopladora-aspiradora al 1-800-313-5111, de 7.30 a 16.30, hora estándar del este, o envíe un correo electrónico a earthwise@reelin.com.



MANUAL DEL OPERARIO

SOPLADORA, ASPIRADORA Y TRITURADORA ELÉCTRICA

Este producto está amparado por patentes de EE. UU. y otras patentes internacionales.

Copyright. Todos los derechos reservados.

Modelo BVM22012

GARANTÍA

GARANTÍA LIMITADA PARA MODELOS ELÉCTRICOS CON CABLE

Este producto ha sido fabricado por The Great States Corporation/American Lawn Mower Company. The Great States Corporation/American Lawn Mower Company, Shelbyville, Indiana, ha fabricado cortadoras de césped durante más de 100 años y garantiza al propietario original que cada uno de los productos y repuestos nuevos no tienen defectos de materiales ni de fabricación, y se compromete a reparar o sustituir, conforme a esta garantía, cualquier pieza o producto defectuoso por (2) años a partir de la fecha original de compra, a excepción de las condiciones y circunstancias detalladas a continuación. Todos los reclamos de garantía deben estar acompañados de un comprobante de compra (recibo de compra original con fecha).

ESTA GARANTÍA NO ES TRANSFERIBLE Y NO CUBRE:

Productos vendidos con averías o incompletos, vendidos en las condiciones que se encuentren, reacondicionados o usados como equipos de alquiler.

Entrega, instalación ni ajustes normales que se explican en el manual del operario.

Daños ni inconvenientes causados por envío, manipulación inadecuada, instalación incorrecta, voltaje o cableado incorrecto, mantenimiento deficiente, modificaciones inadecuadas o el uso de accesorios o dispositivos de sujeción no recomendados específicamente.

Reparaciones necesarias por el uso indebido o negligencia del operario, o por no instalar, operar, mantener o guardar el producto conforme a las instrucciones del manual del operario.

Daños causados por el frío, el calor, la lluvia, la humedad excesiva, ambientes y materiales corrosivos u otros contaminantes.

Elementos consumibles que se desgastan con el uso normal.

Defectos cosméticos que no interfieren con la funcionalidad de la herramienta.

Costos de flete del cliente al proveedor.

Costos de reparación y transporte de piezas o productos que no se consideren defectuosos.

PÉRDIDAS, DAÑOS O GASTOS INCIDENTALS, INDIRECTOS O CONSECUENCIALES QUE OCURRAN COMO RESULTADO DE DEFECTOS, FALLAS O MAL FUNCIONAMIENTO DEL PRODUCTO. Algunos estados no permiten la exclusión o limitación respecto de la duración de una garantía implícita; por lo tanto, es posible que las limitaciones enunciadas anteriormente no le correspondan.

EL USO COMERCIAL O NO RESIDENCIAL ANULA TODAS LAS GARANTÍAS.



The Great States Corporation
American Lawn Mower Company
830 Webster Street
Shelbyville, IN 46176 EE. UU.
Teléfono: 1-800-313-5111
www.earthwisetools.com

Con el compromiso constante de mejorar la calidad, el fabricante se reserva el derecho de modificar los componentes o diseñar cambios cuando lo considere necesario.



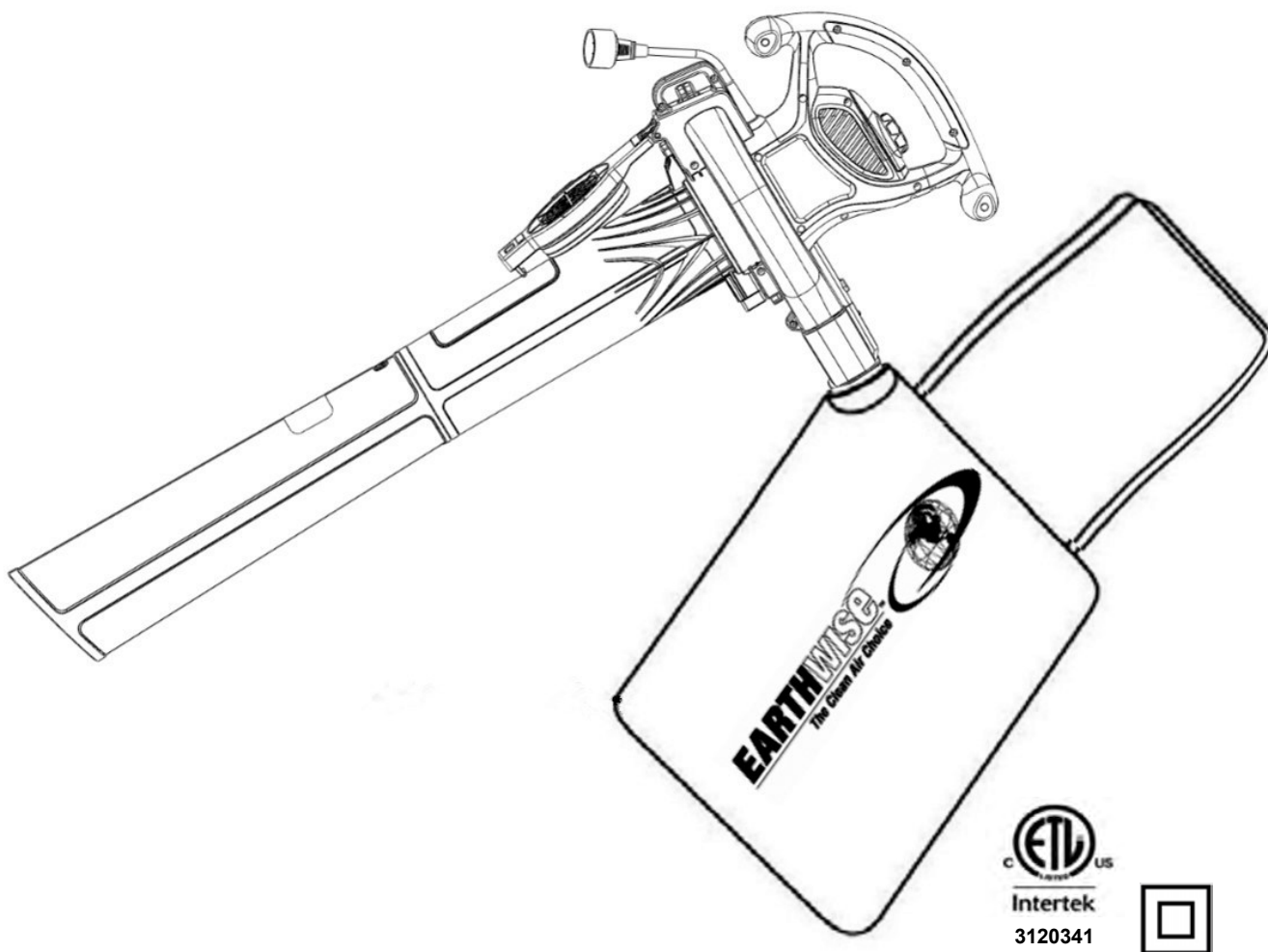
MANUEL DE L'UTILISATEUR

ASPIRATEUR/SOUFFLEUR/BROYEUR ÉLECTRIQUE

Ce produit est protégé par des brevets américains et d'autres brevets internationaux

Droit d'auteur. Tous droits réservés.

Modèle n° BVM22012



Ce produit a été conçu et fabriqué selon nos normes élevées de fiabilité, de facilité d'utilisation et de sécurité de l'utilisateur. Correctement entretenu, il vous procurera des années de service intensif et sans souci.



AVERTISSEMENT : Afin d'éviter de se blesser, l'utilisateur doit lire et comprendre le manuel de l'utilisateur avant d'utiliser ce produit.

Merci pour votre achat.

NE RENVOYEZ PAS CE PRODUIT AU MAGASIN. AVEZ-VOUS DES QUESTIONS CONCERNANT LE FONCTIONNEMENT, L'ASSEMBLAGE, LES PIÈCES OU LA RÉPARATION DU PRODUIT? COMPOSEZ LE 1-800-313-5111 DE 7 H 30 À 16 H 30, HNE, POUR OBTENIR DE L'AIDE.

CONSERVEZ CE MANUEL POUR POUVOIR LE CONSULTER ULTÉRIEUREMENT



AVERTISSEMENTS DE SÉCURITÉ IMPORTANTS



POUR RÉDUIRE LE RISQUE DE BLESSURE :

Avant toute utilisation, assurez-vous que toute personne utilisant cet outil a lu et compris toutes les consignes de sécurité et les autres renseignements contenus dans ce manuel.



MISE EN GARDE : Portez des protections auditives appropriées pendant l'utilisation. Dans certaines conditions, ou en cas d'utilisation prolongée, le bruit émis par ce produit peut contribuer à une perte auditive

Conservez ces instructions et relisez-les souvent avant d'utiliser le produit et lorsque vous apprenez son emploi à d'autres personnes.



AVERTISSEMENT : Lors de l'utilisation d'outils électriques de jardinage, les consignes de sécurité de base doivent toujours être suivies afin d'éviter les incendies, les chocs électriques et les blessures, notamment :

LIRE TOUTES LES INSTRUCTIONS

SÉCURITÉ GÉNÉRALE

NE PAS TIRER SUR LE CÂBLE D'ALIMENTATION – Ne portez jamais le souffleur/aspirateur par le câble d'alimentation et ne tirez jamais celui-ci pour le débrancher. Tenez le cordon à l'écart de la chaleur, de l'huile et des bords tranchants.

GARDER HORS DE PORTÉE DES ENFANTS – Tous les visiteurs, enfants et animaux domestiques doivent se tenir au-delà du périmètre de sécurité de la zone de travail.

S'HABILLER DE FAÇON APPROPRIÉE – Ne portez pas des vêtements amples ou des bijoux. Portez une protection des cheveux pour contenir les cheveux longs. Ceux-ci risquent en effet d'être happés par les pièces en mouvement. L'utilisation de gants en caoutchouc et de chaussures robustes est recommandée pour les travaux à l'extérieur.

PORTER DES LUNETTES DE SÉCURITÉ – Lors de l'utilisation de ce produit, portez des lunettes de sécurité avec des écrans latéraux portant une marque de conformité à la norme ANSI Z87.1. Portez un masque facial ou antipoussières si l'environnement est poussiéreux.

Une protection par **DISJONCTEUR DE FUITE DE TERRE (GFCI)** doit être présente sur le ou prises à utiliser pour le souffleur/aspirateur. Des prises avec une protection GFCI intégrée sont disponibles et peuvent être utilisées.

UTILISER LE BON OUTIL – N'utilisez pas l'outil pour une tâche pour laquelle il n'a pas été conçu.

RALLONGE. Assurez-vous que la rallonge est en bon état. Lors de l'utilisation d'une rallonge, assurez-vous qu'elle est d'un calibre suffisant pour transmettre le courant consommé par le produit. Une rallonge de calibre insuffisant provoquera une baisse de tension de ligne qui entraînera une perte de puissance et une surchauffe. Le tableau suivant montre le calibre correct à utiliser en fonction de la longueur du câble et de l'intensité nominale de la plaque signalétique. En cas de doute, utilisez le calibre immédiatement supérieur. Plus le numéro de calibre est bas, plus le câble est lourd.

Calibre minimum pour les ensembles de câbles

Volts	Longueur totale du câble en mètres et en pieds			
	0-7,6 (0-25)	7,9-15,2 (26-50)	15,5-30,4 (51-100)	30,7-45,7 (101-150)
120V	Intensité nominale		Calibre américain (AWG)	
	Supérieure	Inférieure		
	à	à		
	0	- 6	18	16 16 14
6	- 10	18	16 14 12	
10	- 12	16	16 14 12	
12	- 16	14	12 Non recommandé	



AVERTISSEMENT : Utilisez des rallonges extérieures marquées SW-A, SOW-A, STW-A, STOW-A, SJW-A, SJTW-A ou SJTOWA. Ces câbles sont conçus pour une utilisation en extérieur et réduisent le risque de décharge électrique.

Il est possible de nouer plusieurs rallonges afin de les empêcher de se déconnecter pendant l'utilisation. Effectuez le nœud comme montré, branchez ensuite l'extrémité mâle de la rallonge dans la prise et l'autre extrémité dans la prise du carter du souffleur.



FICHES POLARISÉES – Afin de réduire le risque de décharge électrique, cet équipement comporte une prise polarisée. Les connexions polarisées ne peuvent être effectuées que dans un sens. Assurez-vous que la prise femelle de la rallonge comporte des emplacements pour une fiche large et une fiche étroite. Si la prise ne s'adapte pas entièrement dans la rallonge, inversez la prise. Si elle ne s'adapte toujours pas, obtenez une rallonge appropriée. Si la rallonge ne s'adapte pas entièrement dans la prise murale, contactez un électricien qualifié pour installer la prise correcte. Ne changez en aucun cas la prise de l'outil ou de la rallonge.

DOUBLE ISOLATION – La double isolation est un concept de sécurité des outils électriques, qui élimine le besoin d'un câble à 3 conducteurs avec terre. Toutes les pièces métalliques exposées sont isolées des composants métalliques du moteur interne par une isolation de protection. Il n'est pas nécessaire de raccorder les outils à double isolation à la terre.

REMARQUE : Le système à double isolation est conçu pour protéger l'utilisateur d'une décharge électrique résultant d'une rupture dans l'isolation interne de l'outil. Suivez toutes les consignes de sécurité normales pour éviter une décharge électrique.

DÉBRANCHER LE SOUFFLEUR/ASPIRATEUR de l'alimentation quand il n'est pas utilisé ou lors de l'entretien ou du nettoyage. Ne le laissez pas sans surveillance.

ÉVITER LES ENVIRONNEMENTS DANGEREUX – N'utilisez pas le souffleur/aspirateur sous la pluie, dans les endroits humides ou mouillés. N'utilisez pas le souffleur/aspirateur dans les atmosphères gazeuses ou explosives. Les moteurs de ces outils émettent normalement des étincelles, qui pourraient enflammer les vapeurs.

ÉVITER UNE MISE EN MARCHÉ ACCIDENTELLE – Ne portez pas le souffleur/aspirateur avec un doigt sur le contacteur. Assurez-vous que le contacteur est sur arrêt avant d'effectuer le branchement.



DANGER : Risque de blessure ou de dégâts matériels, ne placez pas à la main du matériau dans le tube d'aspiration pendant le fonctionnement de l'appareil. Gardez les deux mains sur les poignées quand l'outil est en marche.

NE PAS TENTER d'enlever du matériau, ni de tenir du matériau à aspirer quand le souffleur/aspirateur est en marche. Assurez-vous que le souffleur/aspirateur est hors tension avant d'enlever le matériau coincé dans le tube d'aspiration. Ne prenez pas le souffleur/aspirateur par le tube et ne tentez pas de porter l'outil par le tube de soufflage/aspiration.



MISE EN GARDE : Des pièces bougent encore après la mise hors tension.

NE PAS FORCER LE SOUFFLEUR/ASPIRATEUR – Il sera plus efficace et risquera moins de blesser s'il est utilisé à l'intensité pour laquelle il a été conçu.

RESTER VIGILANT – Regardez ce que vous faites. Faites preuve de bon sens. N'utilisez pas le souffleur/aspirateur si vous êtes fatigué ou sous l'influence de médicaments, de drogues ou d'alcool.

RANGER LE SOUFFLEUR/ASPIRATEUR À L'INTÉRIEUR – Lorsqu'il n'est pas utilisé, le souffleur/aspirateur doit être rangé à l'intérieur dans un endroit sec et élevé ou verrouillé, hors de portée des enfants.

ENTREtenir LE SOUFFLEUR/ASPIRATEUR AVEC SOIN – Maintenez le tube de soufflage non obstrué et propre pour le meilleur rendement et pour réduire le risque de blessures. Inspectez régulièrement la rallonge et remplacez-la si elle est endommagée. Maintenez les poignées sèches, propres et exemptes d'huile et de graisse.



AVERTISSEMENT : Proposition 65 de l'État de la Californie : L'État de la Californie considère que certains produits chimiques contenus dans cet appareil sont à l'origine de cancers, de malformations congénitales et d'autres troubles de l'appareil reproducteur.



AVERTISSEMENT : L'État de Californie considère que des poussières et débris créés par l'utilisation de cet outil sont susceptibles de contenir des produits chimiques qui sont cancérigènes et à l'origine de malformations congénitales ou d'autres troubles de l'appareil reproducteur. Parmi ces produits chimiques, citons :

- les produits chimiques contenus dans les engrais;
- les composés d'insecticides, d'herbicides et de pesticides;
- l'arsenic et le chrome du bois traité chimiquement.

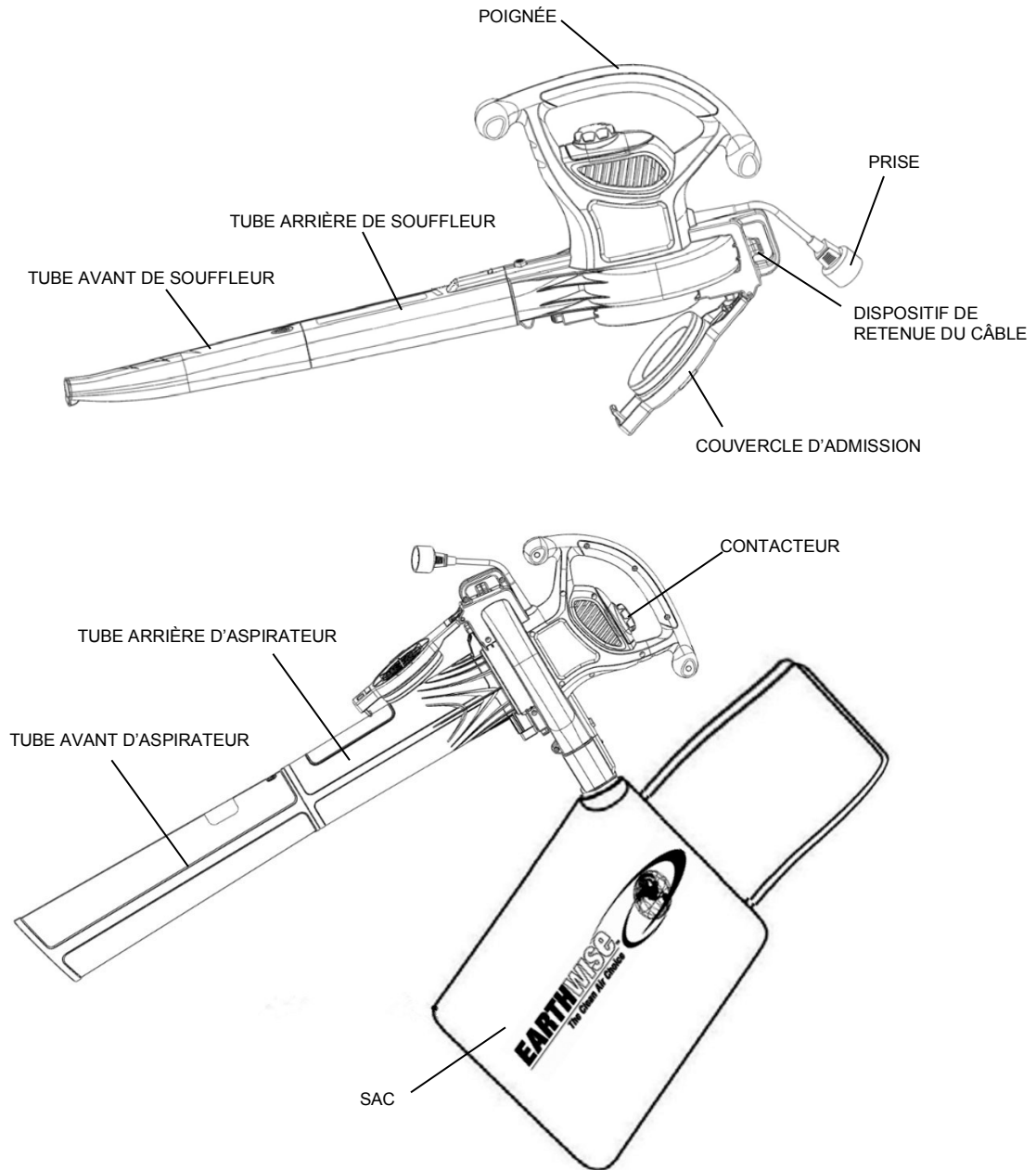
Votre risque d'exposition à ces produits chimiques varie en fonction de la fréquence à laquelle vous effectuez ce type de travail. Afin de réduire l'exposition à ces produits chimiques, travaillez dans un endroit bien aéré et portez un équipement de sécurité homologué, comme un masque antipoussières spécialement conçu pour filtrer les particules microscopiques.

CARACTÉRISTIQUES

SPÉCIFICATIONS DU PRODUIT

Entrée.....	120 V, 60 Hz, 12 A
Vitesse	241 km/h (150 mph) / 370 km/h (230 mph)
PCM	280 - 390
Longueur du tube.....	Souffleur : 55,8 cm (22 po), Aspirateur : 86,9 cm (34 1/4 po)
Poids	4,20 kg (9,26 lb)
Capacité.....	70,4 l (2 boisseaux)

- Montage sans outil - Crochet de retenue du câble - Courroie pour une utilisation plus confortable



* LE COUVERCLE DE L'ADMISSION DOIT ÊTRE FIXÉ DE MANIÈRE SÉCURITAIRE À L'ADMISSION D'AIR AVANT D'UTILISER LA FONCTION DE SOUFFLEUR

ASSEMBLAGE

DÉBALLAGE

Ce produit requiert un assemblage.

Enlevez avec précaution le produit et les accessoires du carton. Assurez-vous que tous les éléments figurant dans la liste du contenu sont inclus.


Inspectez soigneusement le produit pour vous assurer que rien n'a été cassé ou endommagé pendant le transport.


Ne jetez pas le matériau d'emballage tant que vous n'avez pas soigneusement inspecté et utilisé le produit de façon satisfaisante.


Si des pièces sont endommagées ou manquantes, veuillez appeler notre service clientèle au 1-800-313-5111 pour obtenir de l'aide.

LISTE DU CONTENU

- Souffleur / Aspirateur
- Tube de souffleur
- Tube d'aspirateur
- Sac
- Manuel de l'opérateur

 **AVERTISSEMENT** : Si des pièces sont endommagées ou manquantes, n'utilisez pas ce produit tant qu'elles ne sont pas remplacées. Le non-respect de cette consigne peut entraîner des blessures graves.

 **AVERTISSEMENT** : Ne tentez pas de modifier ce produit ou de créer des accessoires non recommandés pour une utilisation avec ce produit. Toute altération ou modification de ce type constitue une mauvaise utilisation et peut provoquer une condition dangereuse entraînant des blessures graves possibles.

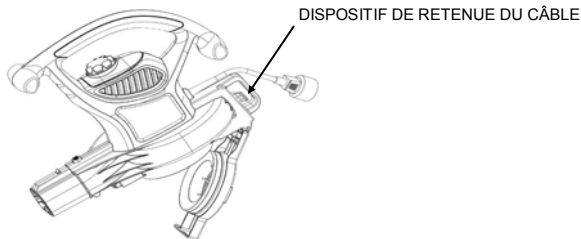
 **AVERTISSEMENT** : Ne branchez pas l'alimentation tant que l'assemblage n'est pas terminé. Le non-respect de cette consigne peut entraîner un démarrage accidentel et éventuellement des blessures graves.

DISPOSITIF DE RETENUE DU CÂBLE

Un dispositif de retenue du câble est incorporé sur l'arrière du moteur.

En cas d'utilisation de plusieurs rallonges, nouez d'abord les deux câbles comme indiqué.

Doublez ensuite la rallonge sur plusieurs centimètres à partir de l'extrémité et accrochez la boucle ainsi formée sur le dispositif de retenue du câble, comme indiqué.

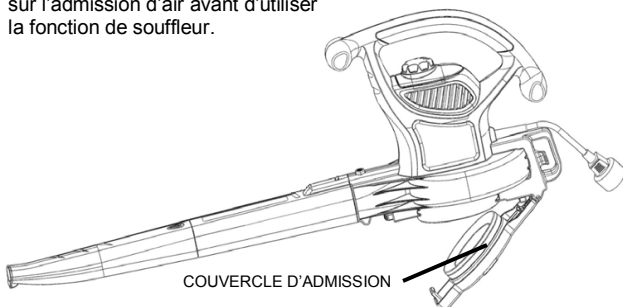


ASSEMBLAGE DE L'APPAREIL EN SOUFFLEUR

Raccordez ensemble les deux tubes de souffleur.

Adaptez l'extrémité au diamètre le plus large des tubes du souffleur sur la sortie d'air du carter du moteur.

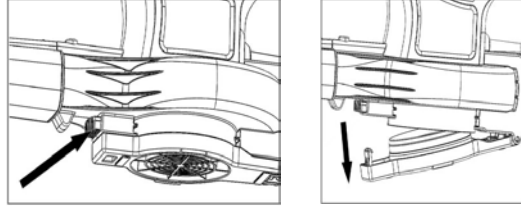
Assurez-vous que le couvercle d'admission est correctement fixé sur l'admission d'air avant d'utiliser la fonction de souffleur.



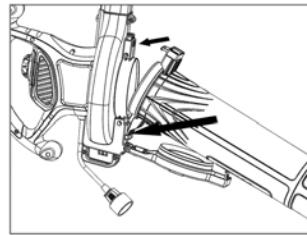
ASSEMBLAGE DE L'APPAREIL EN ASPIRATEUR

Poussez le tube d'aspirateur inférieur fermement dans le tube supérieur jusqu'à ce qu'ils s'enclenchent fermement. Une fois que les tubes de l'aspirateur sont raccordés, ils ne doivent jamais être démontés.

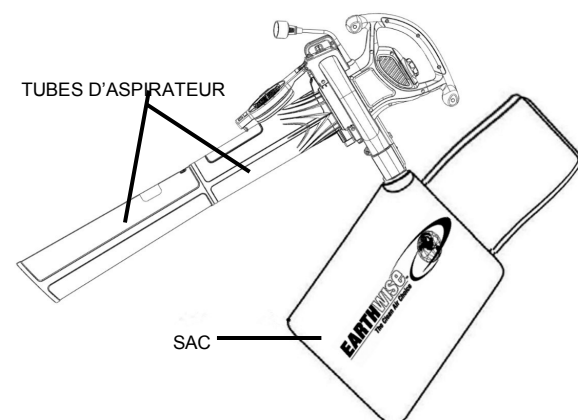
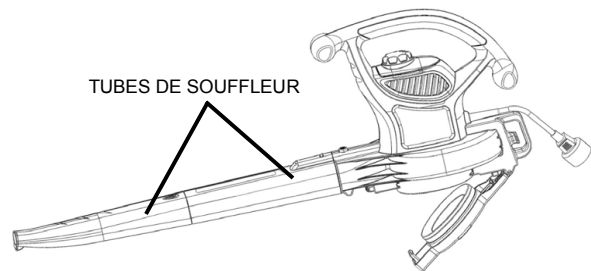
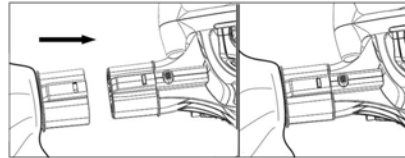
Retirez le couvercle d'admission du bas du carter du moteur en appuyant sur le bouton de verrouillage et en tirant le couvercle vers le bas.



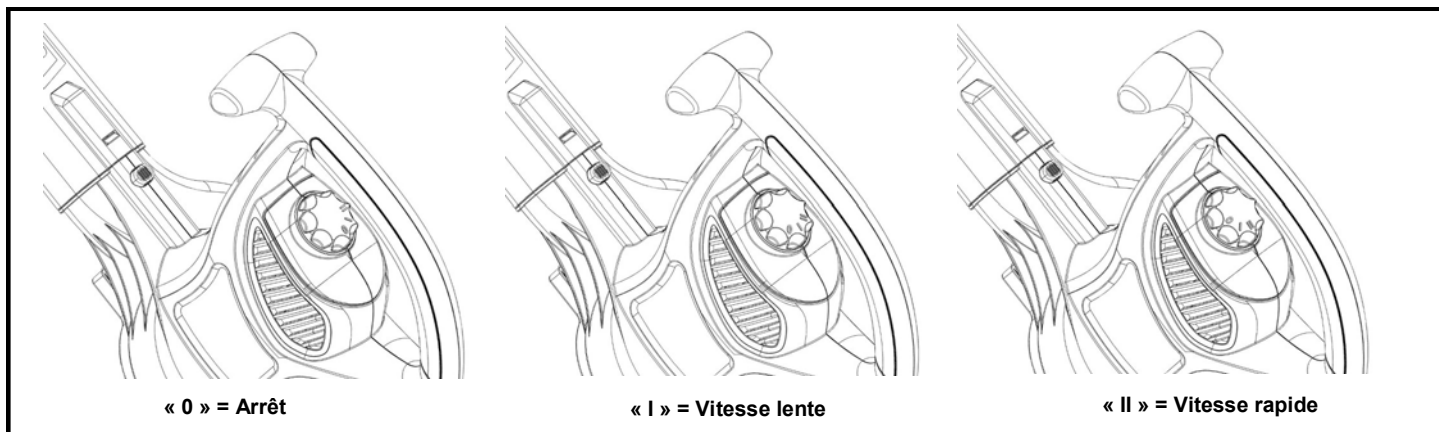
Fixez l'assemblage du tube de l'aspirateur sur le carter du moteur en positionnant l'assemblage comme indiqué par la flèche, tournez ensuite dans le sens des aiguilles d'une montre jusqu'à ce que le dispositif de verrouillage/déverrouillage soit complètement enclenché.



Fixez le connecteur du sac de récupération à pression au tube de sortie du carter. Enfoncez le raccord du sac de collecte directement dans la sortie jusqu'à ce qu'il s'enclenche.



UTILISATION



CONTACTEUR DE MARCHÉ ET ARRÊT / COMMANDE DE LA VITESSE POUR LE MODÈLE BVM22012 –

Pour un meilleur contrôle, le modèle BVM22012 est équipé d'un contacteur à deux vitesses situé sur la poignée du bloc moteur.

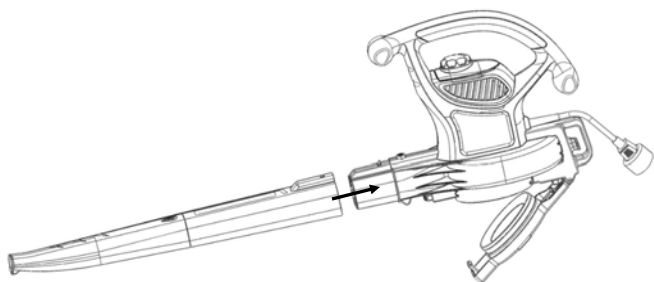
Le contacteur comporte trois positions : « 0 », « I » et « II ». La position « 0 » est l'arrêt. Pour une utilisation à vitesse lente, placez le contacteur sur la position centrale; la position « I ». Pour une utilisation à vitesse rapide, placez le contacteur sur la position « II ».

Pour mettre l'outil en marche, faites coulisser le contacteur sur la position « I » ou « II » en fonction de la vitesse souhaitée. Pour l'arrêter, faites coulisser le contacteur vers la position « 0 ».

MODE SOUFFLEUR

Mettez le contacteur sur la position d'arrêt et débranchez l'appareil de l'alimentation électrique.

Fixez le tube de souffleur au bloc moteur en le plaçant de la manière illustrée, et en poussant jusqu'à ce que la fente sur le tube s'enclenche fermement sur l'onglet du bloc moteur. Assurez-vous que le couvercle d'admission est correctement fixé sur l'admission d'air avant d'utiliser la fonction de souffleur.



Tenez le tube du souffleur à environ 18 cm (7 po) du sol, mettez l'outil en marche et effectuez un mouvement de balayage latéral en avançant lentement. Maintenez l'accumulation de débris/feuilles devant vous.



Une fois que vous avez soufflé les débris/feuilles en un tas, convertissez l'outil en mode aspirateur pour ramasser les débris.



AVERTISSEMENT : Lors de l'arrêt d'un souffleur pour l'installation des tubes, attendez 10 secondes que le ventilateur s'arrête de tourner avant de démonter les tubes.

MODE ASPIRATEUR

Mettez le contacteur sur la position d'arrêt et débranchez l'outil de l'alimentation.

Installez les tubes d'aspirateur selon la description plus haut dans ce manuel.

Fixez le connecteur du sac de récupération à pression au tube de sortie du carter. Enfoncez le raccord du sac de collecte directement dans la sortie jusqu'à ce qu'il s'enclenche.

Positionnez le tube légèrement au-dessus des débris/feuilles. Mettez l'outil en marche et, à l'aide d'un mouvement de balayage, aspirez les débris/feuilles dans le tube où ils sont ensuite broyés et envoyés dans le sac de récupération.

Plus le sac se remplit, plus la puissance d'aspiration diminue. Lorsque cela se produit, mettez le contacteur sur la position d'arrêt et débranchez l'appareil de l'alimentation. Déposez le sac et videz les débris.

Pour retirer le sac, enfoncez le bouton situé sur la sortie et tirez le sac tout droit.

Pour faciliter l'entretien de votre gazon et rendre l'outil plus confortable à manipuler, ajustez celui-ci à l'utilisateur à l'aide de la bandoulière réglable.

AVERTISSEMENT : Ne déposez jamais le sac sans avoir d'abord mis le contacteur sur la position d'arrêt et débranché l'aspirateur de l'alimentation électrique.

N'utilisez pas l'outil en mode aspirateur si les tubes d'aspirateur et le sac ne sont pas installés.

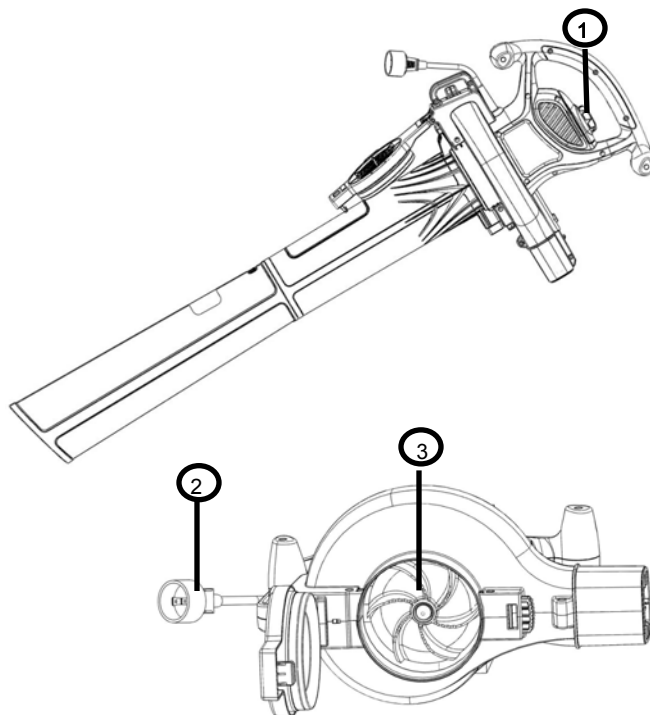
N'utilisez le souffleur/aspirateur qu'à la lumière du jour ou sous un bon éclairage artificiel.

UTILISATION

Pendant l'aspiration, le ventilateur risque d'être obstrué par certains objets comme des chiffons, des ficelles, de gros bâtons, etc., et le moteur peut alors se bloquer. Un dispositif de protection thermique intégré au souffleur/aspirateur coupe l'alimentation électrique du moteur afin d'éviter une surchauffe qui pourrait l'endommager.

En cas d'obstruction et de réduction du courant électrique :

1. Mettez l'interrupteur sur sa position d'arrêt.
2. Débranchez l'appareil de la source de courant.
3. Retirez le tube d'aspiration et enlevez le ou les objets qui bloquent le ventilateur.
4. Remontez le tube d'aspiration. Laissez le moteur refroidir pendant trois (3) minutes. Rebranchez l'appareil et mettez l'interrupteur sur sa position de marche. Le souffleur/aspirateur reprendra son fonctionnement normal.



MAINTENANCE

Mettez le contacteur sur la position d'arrêt et débranchez l'outil de l'alimentation électrique :

- pour passer du souffleur à l'aspirateur.
- si le câble d'alimentation est endommagé ou enchevêtré.
- si vous laissez le produit sans surveillance.
- pour dégager une obstruction.
- pour vérifier, régler, nettoyer ou travailler sur l'outil.

Si l'appareil tombe, vérifiez soigneusement s'il est endommagé. Si le carter est fendu, les poignées cassées ou si vous détectez un autre problème pouvant affecter le fonctionnement de l'outil, contactez votre service clientèle au 1-800-313-5111 pour obtenir de l'aide.

⚠ MISE EN GARDE : Ne laissez jamais de liquide de frein, d'essence, de produits à base de pétrole, d'huiles pénétrantes, etc. entrer en contact avec les pièces en plastique. Ces substances contiennent des produits chimiques pouvant endommager, affaiblir ou détruire le plastique.

⚠ IMPORTANT : Pour garantir la SÉCURITÉ et la FIABILITÉ du produit, les réparations, la maintenance et le réglage doivent être effectués par une personne qualifiée qui utilise toujours des pièces de rechange identiques.

Nettoyez tout matériau pouvant s'être accumulé dans l'appareil. Dans le cadre d'une utilisation correcte avec des feuilles sèches, le logement du ventilateur de l'appareil doit rester propre. Si de la terre et des débris mouillés sont aspirés, des particules risquent de s'accumuler sur l'intérieur du logement du souffleur. Dans ce cas, le rendement de l'appareil baisse. Cette zone peut être nettoyée en essuyant doucement avec un chiffon mouillé après débranchement de la source d'alimentation. Votre appareil doit être rangé dans un endroit sec.

Une fois par an, lavez le sac à la main avec de l'eau savonneuse. Laissez-le sécher à l'air sec.

Assurez-vous que le câble est détaché de l'appareil, n'utilisez ensuite que du savon doux et un chiffon mouillé pour nettoyer l'outil. Ne laissez jamais de liquide entrer dans l'outil; n'immergez jamais une partie de l'outil dans du liquide.

Les engrais et autres produits chimiques de jardinage contiennent des agents qui accélèrent fortement la corrosion des métaux. Ne rangez pas l'outil sur ou à côté d'engrais ou de produits chimiques.

DÉPANNAGE

Problème
- L'appareil ne fonctionne pas

Cause possible
- La rallonge n'est pas branchée sur la prise
- Le câble n'est pas branché sur la source d'alimentation

Solution possible
- Vérifier si la rallonge est complètement raccordée à l'outil
- Vérifier si la rallonge est complètement raccordée à une prise sous tension

APPELEZ-NOUS D'ABORD!!

Appelez-nous d'abord pour toute question concernant le concernant la maintenance de votre souffleur/aspirateur au 1-800-313-5111 entre et 16 h 30, HNE, ou envoyez vos courriels à earthwise@reelin.com.



MANUEL DE L'UTILISATEUR

ASPIRATEUR/SOUFFLEUR/BROYEUR ÉLECTRIQUE

Ce produit est protégé par des brevets américains et d'autres brevets internationaux

Droit d'auteur. Tous droits réservés.

Modèle n° BVM22012

GARANTIE

GARANTIE LIMITÉE POUR LES MODÈLES ÉLECTRIQUES AVEC FIL

Ce produit est fabriqué pour la société The Great States Corporation/American Lawn Mower Company. La société The Great States Corporation/American Lawn Mower Company, Shelbyville, Indiana, États-Unis, fabrique des tondeuses à gazon depuis plus de 100 ans et garantit au premier propriétaire que chaque produit neuf et ses pièces de rechange sont exempts de défauts de matériau et de fabrication et consent à réparer ou remplacer, dans le cadre de cette garantie, tout produit ou pièce défectueux pendant deux (2) ans à partir de la date d'achat d'origine, sauf dans les conditions et circonstances indiquées ci-dessous. Une preuve d'achat (original du reçu de vente daté) doit accompagner toute réclamation de garantie.

CETTE GARANTIE N'EST PAS TRANSFÉRABLE ET NE COUVRE PAS :

Les produits vendus endommagés ou incomplets, vendus « tels quels », vendus remis en état ou utilisés comme équipements de location.

La livraison, l'installation et les réglages normaux expliqués dans le manuel de l'utilisateur.

Les dommages ou responsabilités provoqués par le transport, une mauvaise manipulation, une mauvaise installation, une tension ou un câblage incorrect, une mauvaise maintenance, une modification incorrecte ou l'utilisation d'accessoires ou d'outils non spécifiquement recommandés.

Les réparations nécessaires à cause d'un mauvais usage ou d'une négligence de l'opérateur, ou du manquement à l'installation, l'utilisation, la maintenance ou le stockage du produit conformément aux instructions figurant dans le manuel de l'utilisateur.

Les dommages causés par le froid, la chaleur, la pluie, une humidité excessive, des environnements et matériaux corrosifs ou d'autres contaminants.

Les éléments consommables qui s'usent lors d'une utilisation normale.

Les défauts esthétiques qui n'interfèrent pas avec la fonctionnalité de l'outil.

Les frais de transport du client au vendeur.

Les frais de réparation et de transport des produits ou pièces qui se sont avérés ne pas être défectueux.

TOUT DOMMAGE, PERTE OU FRAIS CONSÉCUTIF, INDIRECT OU CONSÉQUENT QUI POURRAIT RÉSULTER D'UN DÉFAUT, D'UNE DÉFAILLANCE OU D'UN DYSFONCTIONNEMENT DU PRODUIT. Certains États ne permettent pas l'exclusion ou la limitation de la durée d'une garantie implicite, les restrictions ci-dessus peuvent donc ne pas s'appliquer.

UNE UTILISATION NON RÉSIDENIELLE OU UNE UTILISATION COMMERCIALE ANNULE TOUTES LES GARANTIES.



The Great States Corporation
American Lawn Mower Company
830 Webster Street
Shelbyville, IN 46176 États-Unis
Téléphone 1-800-313-5111
www.earthwisetools.com

Dans le cadre d'un engagement vis-à-vis de l'amélioration de la qualité, le fabricant se réserve le droit de modifier des pièces ou la conception de ce produit.